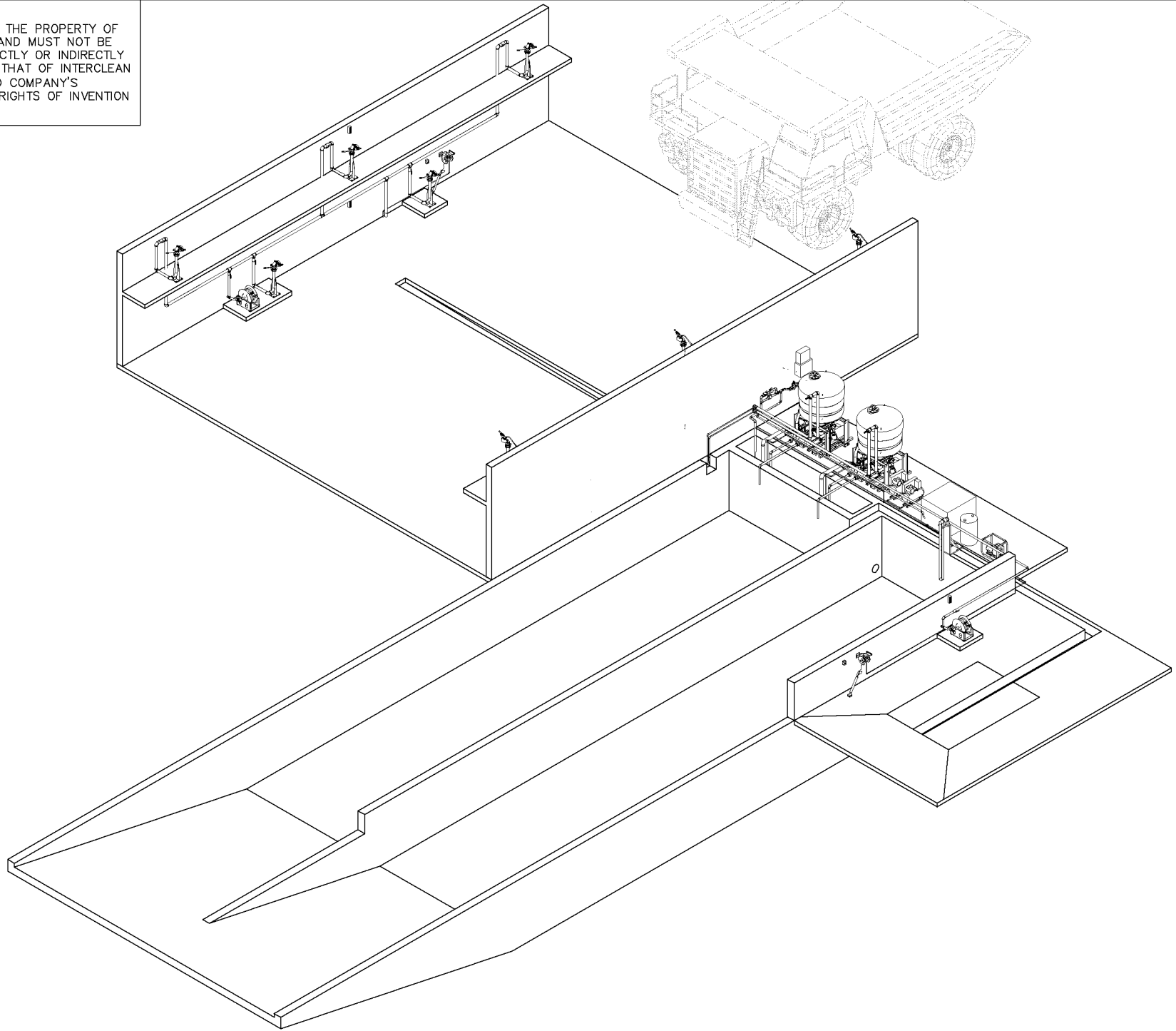


NOTE:
 THIS DRAWING AND DESIGN IS THE PROPERTY OF
 INTERCLEAN EQUIPMENT INC. AND MUST NOT BE
 COPIED OR USED EITHER DIRECTLY OR INDIRECTLY
 FOR ANY WORK OTHER THAN THAT OF INTERCLEAN
 EQUIPMENT INC. WITHOUT SAID COMPANY'S
 EXPRESSED PERMISSION. ALL RIGHTS OF INVENTION
 OR DESIGN ARE RESERVED.



PROJECTS\Foreign\Dominican Republic\Santo Domingo\Barrick\LY09-048.dwg, 01_3D, 6/15/2009 3:52:31 PM, Simon, HPD\1055CM.dwg

InterClean Equipment, Inc.

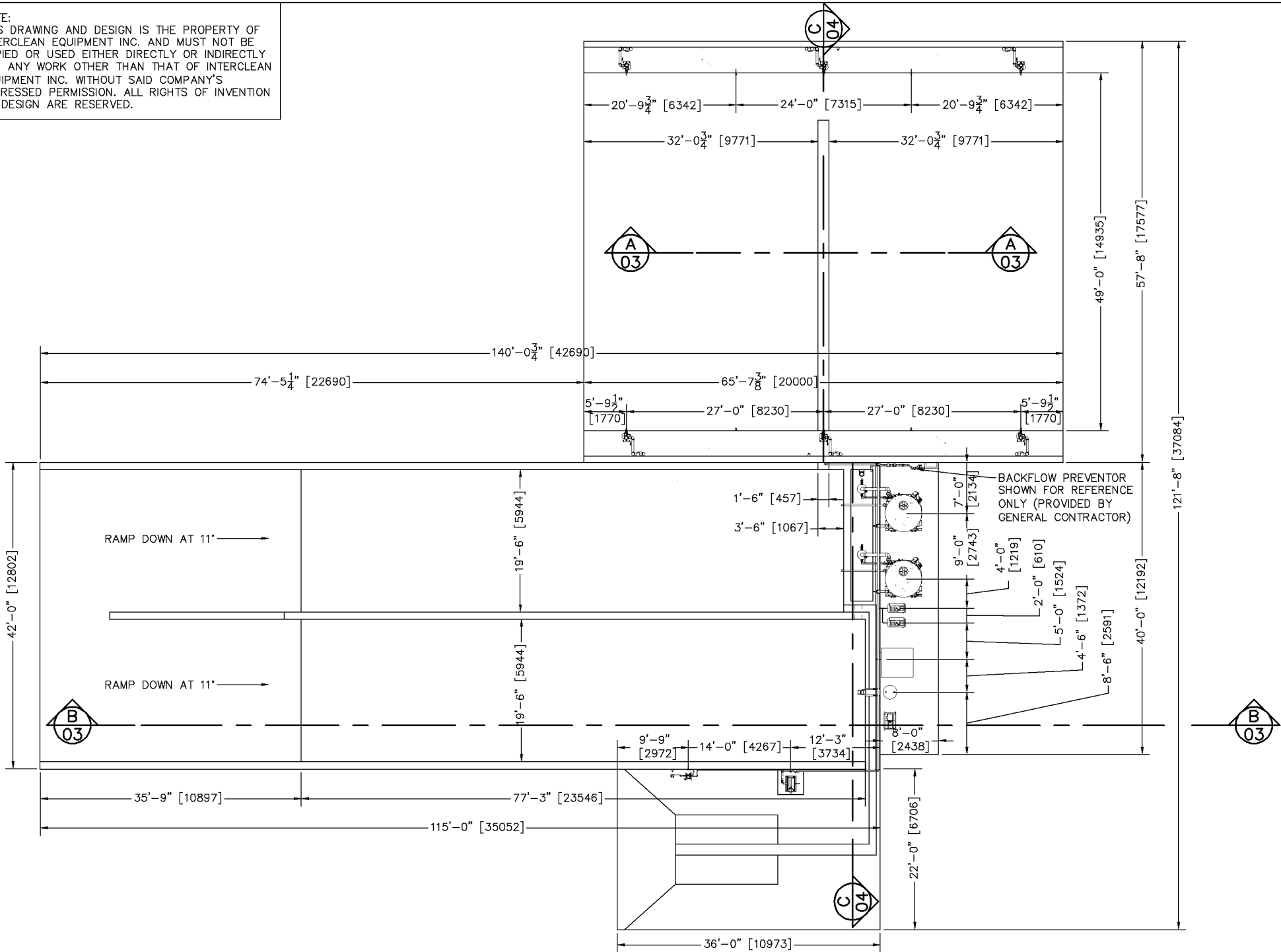
DESIGN: DRAWN:
 SIMON SIMON
 CHECK: APPR:
 PK PK
 SCALE:
 NO SCALE

BARRICK P.V. PROJECT, DOMINICAN REPUBLIC
 MINE VEHICLE WASH, RECLAIM SYSTEM
 3-D VIEW

DATE: 05/11/09
 PART NO:
 #LY09-048-01
 WEIGHT:

R.	DATE	DESCRIPTION	BY	APPR

NOTE:
 THIS DRAWING AND DESIGN IS THE PROPERTY OF INTERCLEAN EQUIPMENT INC. AND MUST NOT BE COPIED OR USED EITHER DIRECTLY OR INDIRECTLY FOR ANY WORK OTHER THAN THAT OF INTERCLEAN EQUIPMENT INC. WITHOUT SAID COMPANY'S EXPRESSED PERMISSION. ALL RIGHTS OF INVENTION OR DESIGN ARE RESERVED.



PROJECT:SI\Foreign\Dominican Republic\Santo Domingo\Barrick\LY09-048.dwg, 02_Plan, 6/15/2009 3:53:07 PM, Simon, HPD\10550M.pc3

InterClean Equipment, Inc.

DESIGN: SIMON	DRAWN: SIMON	BARRICK P.V. PROJECT, DOMINICAN REPUBLIC	DATE: 05/11/09
CHECK: PK	APPR: PK		PART NO: #LY09-048-02
SCALE: 1/8"=1'		PLAN VIEW	WEIGHT:

R.	DATE	DESCRIPTION	BY	APPR