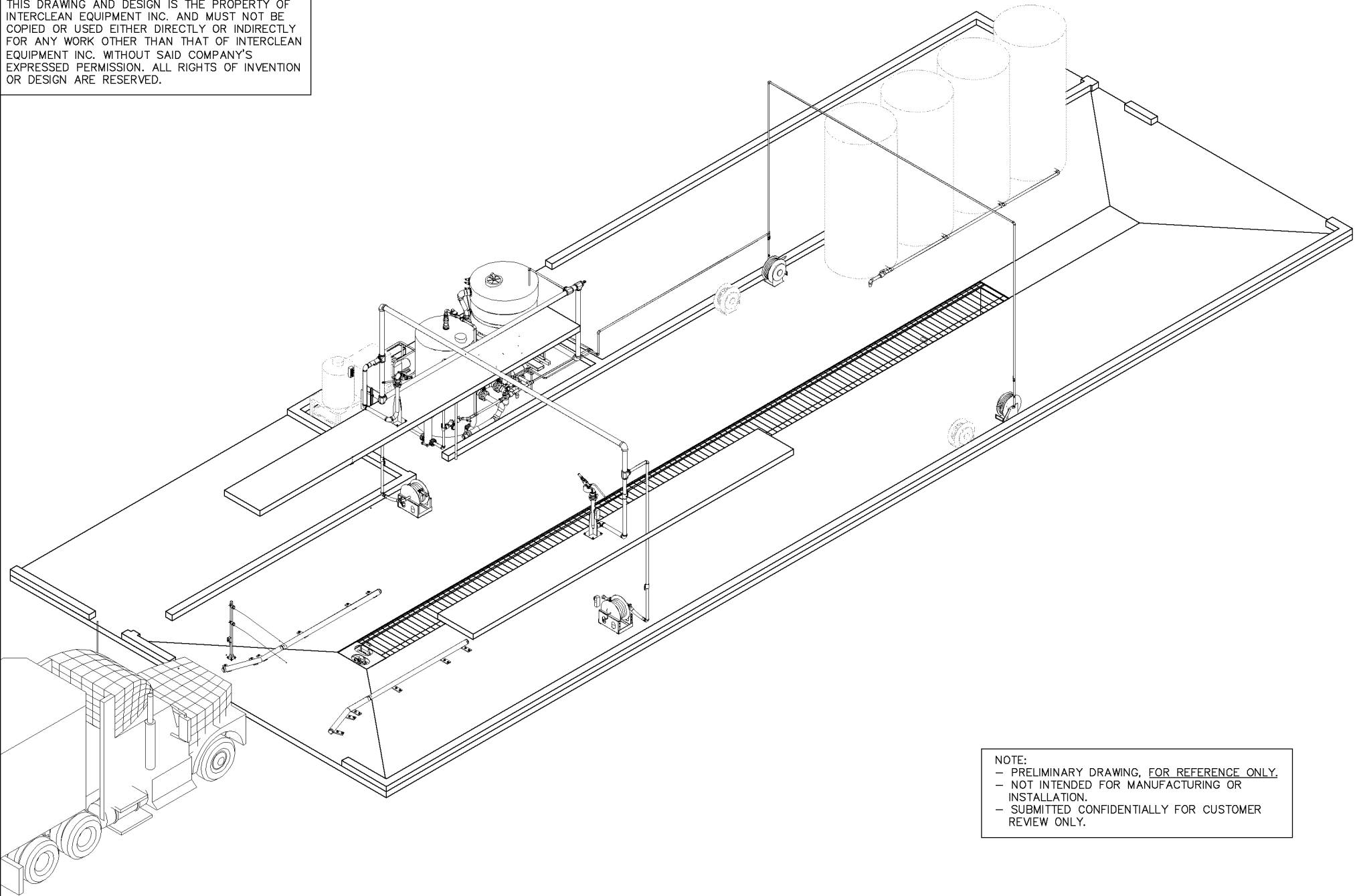


NOTE:
 THIS DRAWING AND DESIGN IS THE PROPERTY OF INTERCLEAN EQUIPMENT INC. AND MUST NOT BE COPIED OR USED EITHER DIRECTLY OR INDIRECTLY FOR ANY WORK OTHER THAN THAT OF INTERCLEAN EQUIPMENT INC. WITHOUT SAID COMPANY'S EXPRESSED PERMISSION. ALL RIGHTS OF INVENTION OR DESIGN ARE RESERVED.



NOTE:
 - PRELIMINARY DRAWING, FOR REFERENCE ONLY.
 - NOT INTENDED FOR MANUFACTURING OR INSTALLATION.
 - SUBMITTED CONFIDENTIALLY FOR CUSTOMER REVIEW ONLY.

PROJECT:USA\CA\Truckee\LY09-056.dwg, 01_3D, 6/11/2009 1:34:25 PM, Simon, HPD11055CM.pcs

R.	DATE	DESCRIPTION	BY	APPR

InterClean Equipment, Inc.

DESIGN: DRAWN:
 SIMON SIMON
 CHECK: APPR:
 PK PK
 SCALE:
 NO SCALE

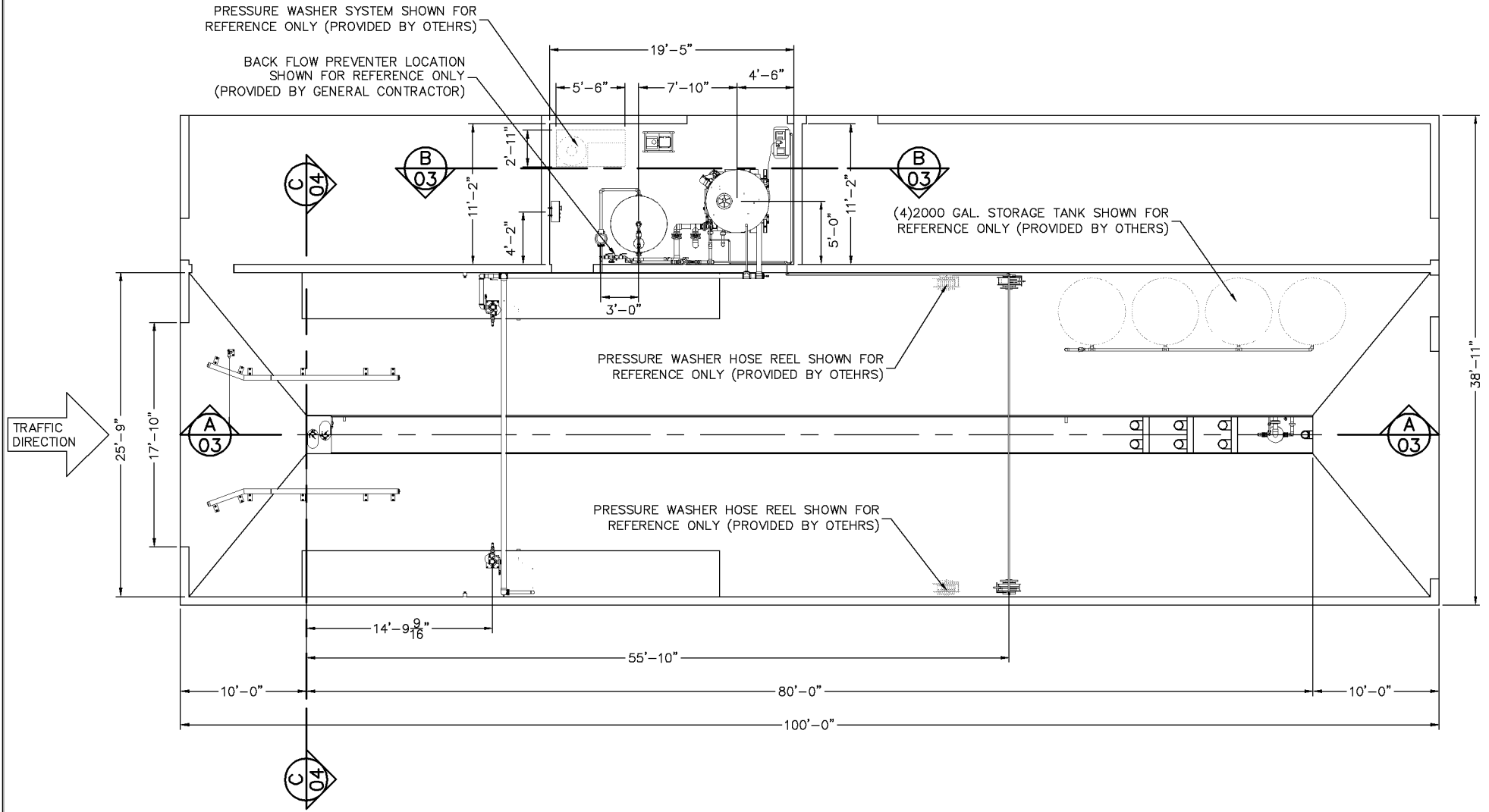
TRUCKEE, TOWN OF , TRUCKEE, CA
 TRUCK WASH, RECLAIM WATER SYSTEM
 3-D VIEW

DATE:
 05/22/09
 PART NO:
 #LY09-056-01
 WEIGHT:

NOTE:
 - PRELIMINARY DRAWING, FOR REFERENCE ONLY.
 - NOT INTENDED FOR MANUFACTURING OR INSTALLATION.
 - SUBMITTED CONFIDENTIALLY FOR CUSTOMER REVIEW ONLY.

NOTE:
 THIS DRAWING AND DESIGN IS THE PROPERTY OF INTERCLEAN EQUIPMENT INC. AND MUST NOT BE COPIED OR USED EITHER DIRECTLY OR INDIRECTLY FOR ANY WORK OTHER THAN THAT OF INTERCLEAN EQUIPMENT INC. WITHOUT SAID COMPANY'S EXPRESSED PERMISSION. ALL RIGHTS OF INVENTION OR DESIGN ARE RESERVED.

NOTE:
 DURING INSTALLATION, MAKE SURE THE TIRE GUIDE AND ARCHES DO NOT INTERFERE WITH ENTRANCE OR EXIT OVERHEAD DOORS



PROJECT: SUSA/CA/Truckee/LY09-056.dwg, 02_Plan, 6/11/2009 1:33:03 PM, Simon, HPD, 1055CM.pcb

R.	DATE	DESCRIPTION	BY	APPR

InterClean Equipment, Inc.

DESIGN: SIMON
 DRAWN: SIMON
 CHECK: PK
 APPR: PK
 SCALE: 3/16"=1'

TRUCKEE, TOWN OF, TRUCKEE, CA
 TRUCK WASH, RECLAIM WATER SYSTEM
 PLAN VIEW

DATE: 05/22/09
 PART NO: #LY09-056-02
 WEIGHT: