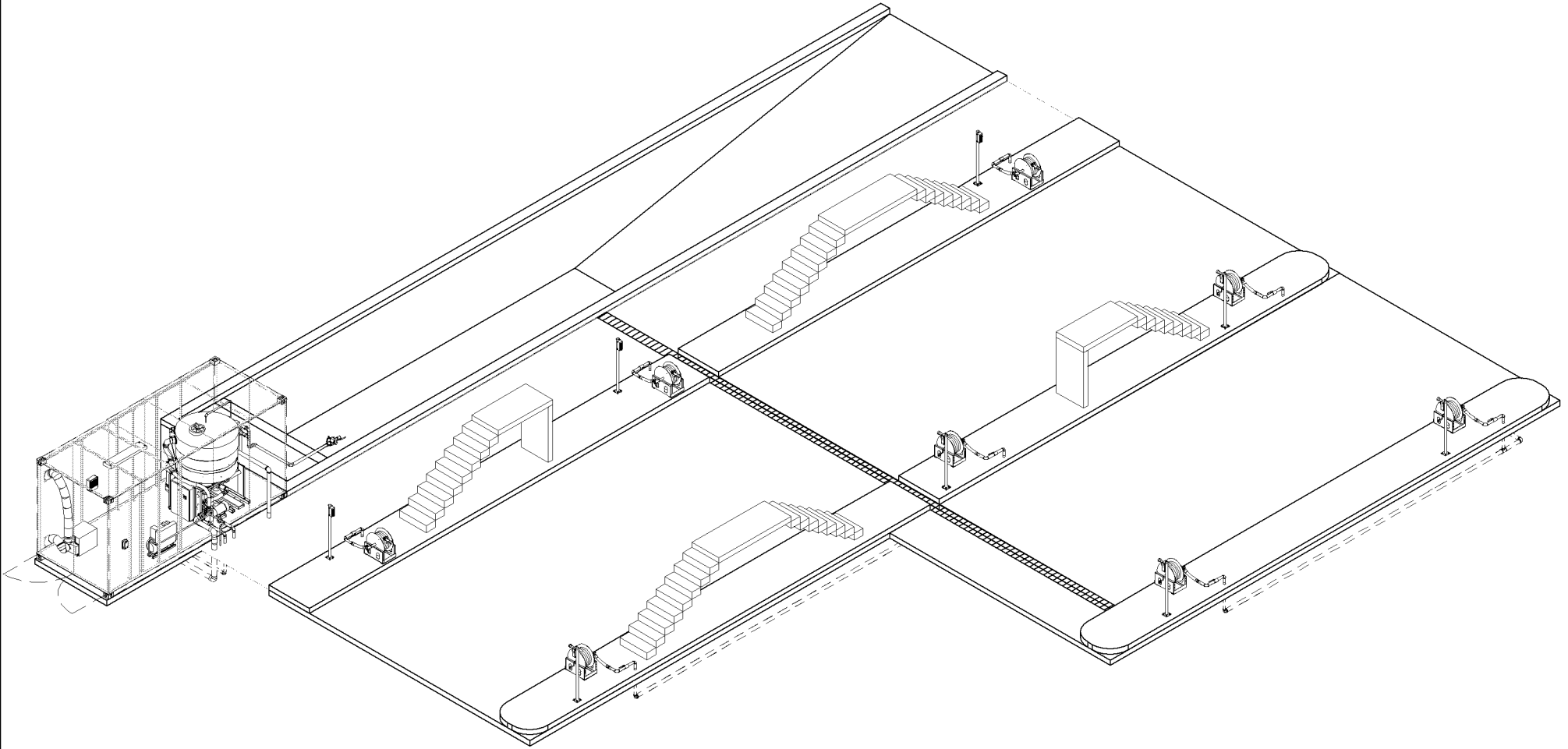


NOTE:
 THIS DRAWING AND DESIGN IS THE PROPERTY OF INTERCLEAN EQUIPMENT INC. AND MUST NOT BE COPIED OR USED EITHER DIRECTLY OR INDIRECTLY FOR ANY WORK OTHER THAN THAT OF INTERCLEAN EQUIPMENT INC. WITHOUT SAID COMPANY'S EXPRESSED PERMISSION. ALL RIGHTS OF INVENTION OR DESIGN ARE RESERVED.



NOTE:
 - PRELIMINARY DRAWING, FOR REFERENCE ONLY.
 - NOT INTENDED FOR MANUFACTURING OR INSTALLATION.
 - SUBMITTED CONFIDENTIALLY FOR CUSTOMER REVIEW ONLY.

InterClean Equipment, Inc.

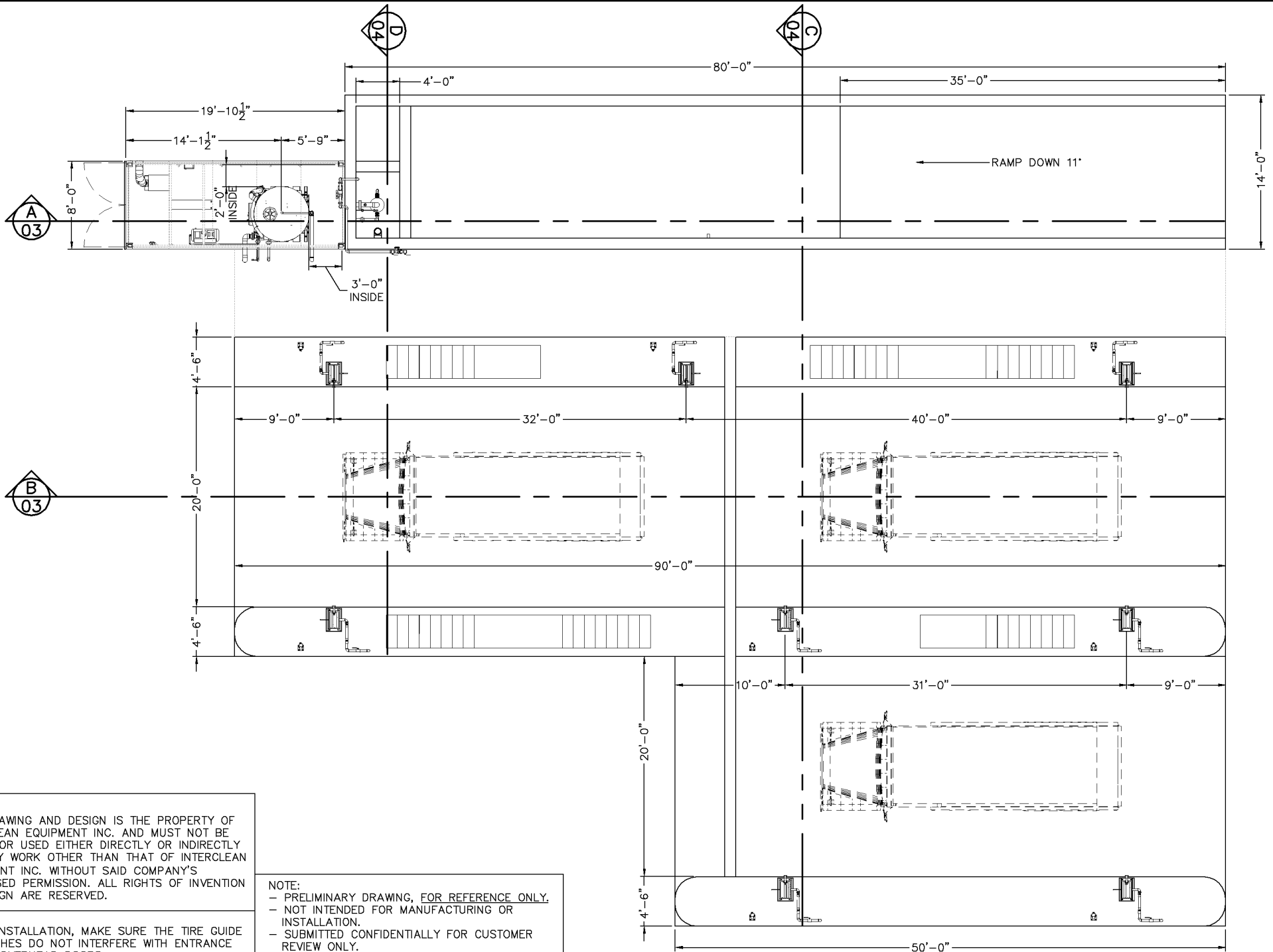
DESIGN: DRAWN:
 SUSAN SUSAN
 CHECK: APPR:
 PK #####
 SCALE:
 NO SCALE

SDARNG CAMP RAPID, RAPID CITY, SD
 MANUAL WASH, RECLAIM WATER SYS.
 3-D VIEW

DATE: 12/04/09
 PART NO:
 #LY09-116-01
 WEIGHT:

R.	DATE	DESCRIPTION	BY	APPR

PROJECT: SUSAN SD Rapid City Camp Rapid LY09-116.dwg, 02_Plan_12/9/2009 10:26:00 AM, Susan_HPD1055CM.pc3, Custom 1: 8.5 x 11 in. (landscape), 1:1



NOTE:
THIS DRAWING AND DESIGN IS THE PROPERTY OF INTERCLEAN EQUIPMENT INC. AND MUST NOT BE COPIED OR USED EITHER DIRECTLY OR INDIRECTLY FOR ANY WORK OTHER THAN THAT OF INTERCLEAN EQUIPMENT INC. WITHOUT SAID COMPANY'S EXPRESSED PERMISSION. ALL RIGHTS OF INVENTION OR DESIGN ARE RESERVED.

NOTE:
DURING INSTALLATION, MAKE SURE THE TIRE GUIDE AND ARCHES DO NOT INTERFERE WITH ENTRANCE OR EXIT OVERHEAD DOORS

NOTE:
- PRELIMINARY DRAWING, FOR REFERENCE ONLY.
- NOT INTENDED FOR MANUFACTURING OR INSTALLATION.
- SUBMITTED CONFIDENTIALLY FOR CUSTOMER REVIEW ONLY.

InterClean Equipment, Inc.

DESIGN: DRAWN:
SUSAN SUSAN
CHECK: APPR:
PK #####
SCALE:
3/16"=1'

SDARNG CAMP RAPID, RAPID CITY, SD
MANUAL WASH, RECLAIM WATER SYS.
PLAN VIEW

DATE:
12/04/09
PART NO:
#LY09-116-02
WEIGHT:

R.	DATE	DESCRIPTION	BY	APPR